

# CR SERIES 70 KNIFE GATE VALVE



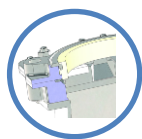
The SERIES 70 (CR) model knife gate valve is a wafer type valve designed for difficult applications. This valve is generally suitable for recycling applications, such as junk or sand traps of pulpers, high density cleaners (HDC) or as silo outlet with solid material. The two piece body with round inlet and square outlet (larger than the inlet) ensures non-jamming

## Product description:

- Uni-directional wafer type knife gate valve
- Size range of DN 6"-24" (larger sizes upon request). See Dimension Charts for pressure rating
- Standard flange connection: DIN PN10 (EN 1092-2) and ANSI B16.5 (class 150) (on valve inlet only). Others available upon request
- Square-to-round transition pieces on the outlet available
- Double-acting pneumatic actuation
- For EU Directives and other Certificates, please see the document: Directives and Certificates Compliance - Knife Gate Valves - Catalogues and Datasheets

## Features:

- Internally machined two-part bolted cast body with internal replaceable gate guides for smoother gate traveling
- The square outlet prevents the build-up of contaminants such as staples, wires, etc
- Duplex gate for increased wear resistance polished both sides to avoid jamming and seat damage
- Easily replaceable high resistant long-lasting polyurethane seat with stainless steel core or bronze seat
- Long-life multiple graphite impreg. PTFE/aramid yarn combination with elastomeric core and EPDM o-ring, packing with easy access and adjustable gland follower. Wide range of materials available
- RAL-5015 blue epoxy-coating on all cast iron/carbon steel components
- Automated valves provided with gate guards in accordance with EU Safety Standards. Only in EU
- Other options: flush ports, vortex breakers on seating ring, special materials, fabricated valves, etc.
- Actuation accessories: limit & proximity switches, mechanical stops, positioners, solenoid valves, manual overrides, locking devices and fail safe systems



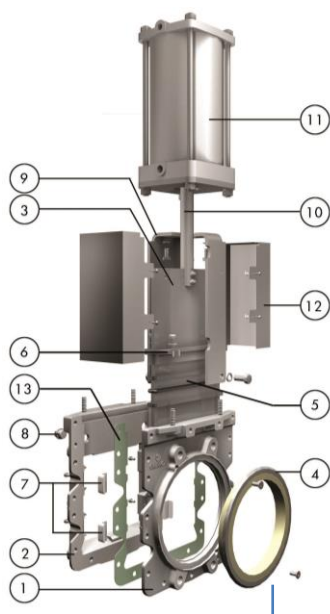
Poliurethane



Bronze



Bronze + Vortex breaker



## STANDARD PARTS LIST

Part	Materials
1 Body	GJL250 (0.6025) / CF8M (1.4408)
2 Body	GJL250 (0.6025) / CF8M (1.4408)
3 Gate	2205 (1.4462)
4 Seat	Polyurethane sleeve/ Bronze + AISI 316 ring
5 Packing	Dynapack + EPDM O-ring
6 Gland Follower	CF8M
7 Sliders	HWMPE
8 Cap	Galv. steel / AISI 316 (1.4404)
9 Yoke	Carbon steel - Epoxy coated
10 Piston Rod	AISI 304 (1.4301)
11 Cylinder	Aluminium
12 Gate Guards	AISI 304 (1.4301)
13 Gasket	Aramid fibres

\* Refer to full catalogue for complete details

ООО «ТИ-СИСТЕМС» ИНЖИНИРИНГ И ПОСТАВКА ТЕХНОЛОГИЧЕСКОГО ОБОРУДОВАНИЯ

Интернет: [www.tisys.ru](http://www.tisys.ru) [www.tisys.kz](http://www.tisys.kz) [www.tisys.by](http://www.tisys.by) [www.tesec.ru](http://www.tesec.ru) [www.ти-системс.рф](http://www.ти-системс.рф)

Телефоны: +7 (495) 7774788, 7489626, (925) 5007155, 54, 65 Эл. почта: [info@tisys.ru](mailto:info@tisys.ru) [info@tisys.kz](mailto:info@tisys.kz) [info@tisys.by](mailto:info@tisys.by)

# CR SERIES 70 KNIFE GATE VALVE

## DIMENSIONS Pneumatic Actuator (D/A)

DN	Pressures	A	B	C	D	E	F	G	H	I	O	P	Weight (lbs.)	Std.Cyl.	Connect.
4"	100 psi	2.03	8.11	4.00	5.51	7.80	8.86	4.33	22.16	4.52	3.74	3.81	77	C4"-4.52"	1/4"G
6"	100 psi	2.36	9.92	4.25	6.89	9.33	11.65	5.11	27.87	5.51	5.71	5.75	172	C5"-6.30"	1/4"G
8"	100 psi	2.36	12.40	4.84	8.07	12.16	14.09	6.61	34.33	6.89	7.63	7.63	196	C6.30"-8.66"	3/8"G
10"	100 psi	2.72	15.28	7.28	9.84	14.80	16.85	7.63	41.49	8.66	9.64	9.72	220	C8"-10.62"	3/8"G
12"	100 psi	3.07	16.85	7.28	11.42	16.77	18.81	9.13	47.00	8.66	11.57	11.73	320	C8"-12.60"	3/8"G
16"	100 psi	3.50	22.04	10.63	15.43	22.60	23.58	11.49	61.61	10.90	15.66	15.67	591	C10"-16.73"	3/8"G
20"	60 psi	4.49	25.47	10.63	17.71	26.57	27.95	13.34	72.24	13.18	19.64	18.85	816	C12"-20.67"	1/2"G
24"	60 psi	4.49	29.41	10.63	20.08	30.51	31.89	15.63	82.48	13.18	24.00	22.75	1118	C12"-24.60"	1/2"G

